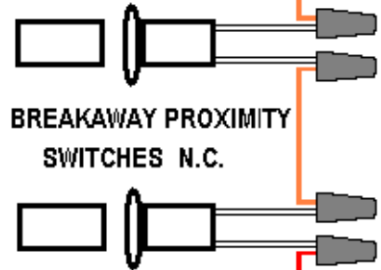


**DOORTRONIX SLIDE WIRING DIAGRAM  
(FULL BREAKOUT)**

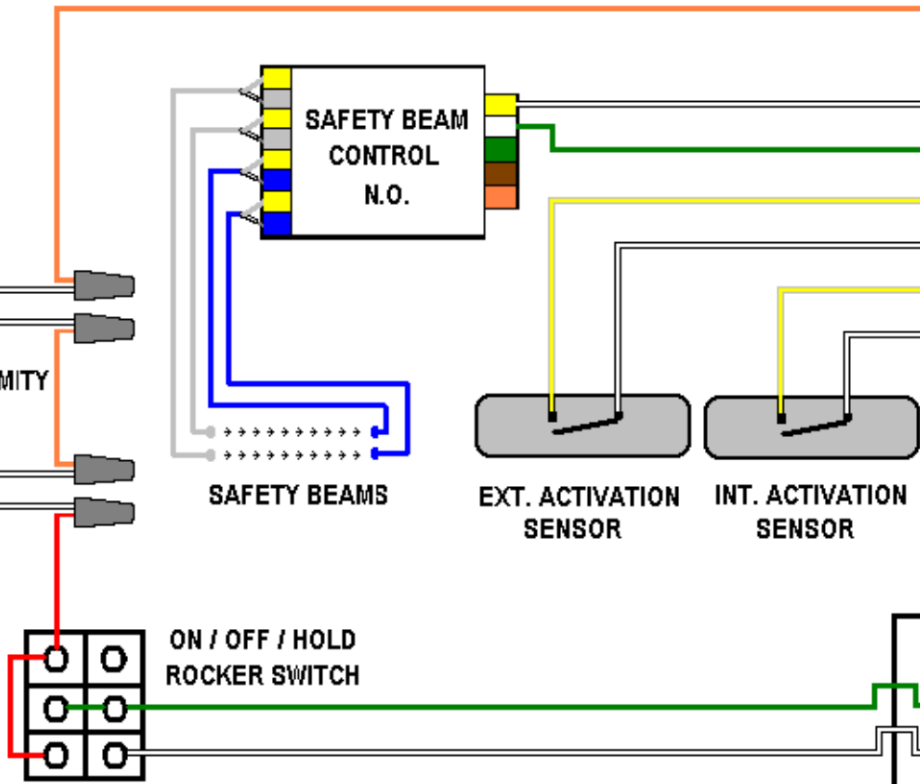
W	X	Y	Z
12 VAC	12 VAC		

1 AMP TOTAL  
ACCESSORY POWER



NORMALLY OPEN		
RELAY COMMON		
NORMALLY CLOSED		
T	U	V

RELAY / ELECTRIC LOCK OUTPUT



E	BREAKAWAY
F	COMMON
G	BEAMS / SAFETY
H	COMMON
I	EXTERIOR ACTIVATE
J	COMMON
K	INTERIOR ACTIVATE
L	COMMON

4	COMMON
5	SECURITY / MISC 2
6	COMMON
7	REDUCED OPEN
8	COMMON
9	SEL. SWITCH 1
10	COMMON
11	SEL. SWITCH 2
12	SEL. SWITCH 3

**NOTES:** TO TURN ON KEYPAD, SIMULTANEOUSLY PRESS THE TWO LOWER BUTTONS FOR 3 SECONDS.  
BREAKAWAY LOGIC N.C. ( $bL = n\bar{C}$ )  
FUNCTION SWITCH 3 POSITION ROCKER ( $FS = 03$ )  
FUNCTION SWITCH 5 POSITION ROTARY ( $FS = 04$ )  
POWER BOOST - HOLD CLOSE FORCE ( $D 1-04$ )

**DIAGNOSTIC CODES**

<i>1d</i>	ONE WAY TRAFFIC	<i>L5</i>	LEARN STALL
<i>2d</i>	TWO WAY TRAFFIC	<i>oF</i>	OFF
<i>bA</i>	BREAKAWAY	<i>oP</i>	OPENING DURING CLOSING
<i>Ea</i>	EXTERIOR ACTIVATE	<i>oS</i>	OPENING SPEED MODE
<i>Eo</i>	EASY OPEN	<i>Po</i>	PARTIALLY OPEN
<i>Fc</i>	FULLY CLOSED	<i>ro</i>	REDUCED OPENING
<i>Fo</i>	FULLY OPEN	<i>SA</i>	SAFETY BEAMS
<i>Ho</i>	HOLD OPEN	<i>SC</i>	SLOW CLOSING
<i>IA</i>	INTERIOR ACTIVATE	<i>SE</i>	SECURITY ENTRY
<i>LC</i>	LEARN CLOSING	<i>St</i>	STALLED
<i>Ld</i>	LOCKED DOOR	<i>tA</i>	TEST ACTIVATE
<i>Ln</i>	LENGTH (INCHES)	<i>tS</i>	THRESHOLD SENSOR
<i>Lo</i>	LEARN OPENING	<i>U5</i>	UNDERSIZED



**DOORTRONIX, INC**  
5783 County Road 1219  
Malakoff, TX 75148  
Phone: 888 453 5196  
www.doortronixusa.com  
info@doortronixusa.com